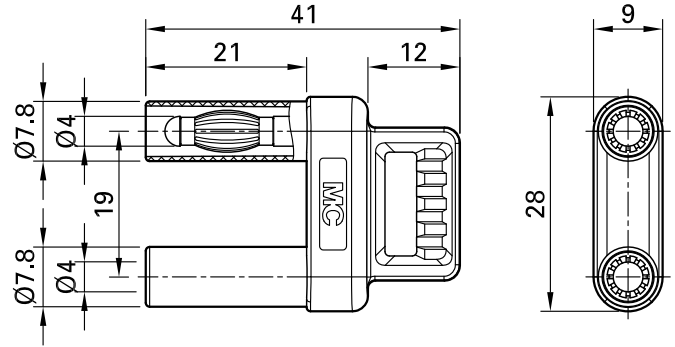


XVB-4/19



Item number 66.9171-*

Insulated Ø 4 mm, made of brass. Plugs with spring-loaded MULTILAM and rigid insulating sleeves. With insulated grip.

Technical data	
Diameter of plug system	4 mm
Rated Values	1000 V, CAT II, 32 A
Surface treatment electrical contact	Ni
Base material electrical contact	CuZn
Standard color(s) *	21 22 23
Optional color(s)	27 28
Plug spacing	19 mm
Test accessory acc. to	IEC EN 61010-031
Approvals	CE