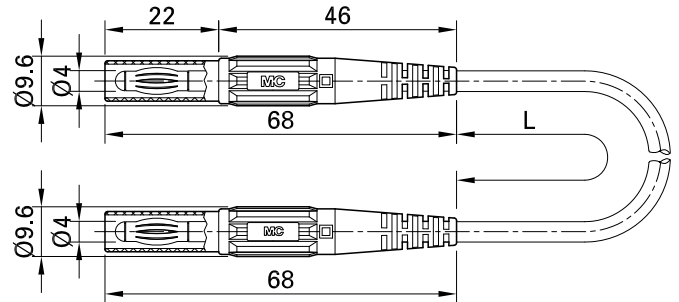


# XMF-414



Item number 66.9013-\*

Highly flexible, with in-line Ø 4 mm MULTILAM plug with rigid insulating sleeve on both ends.

Technical data	
Diameter of plug system	4 mm
Rated Values	1000 V, CAT III, 19 A
Surface treatment electrical contact	Ni
Base material electrical contact	CuZn
Standard color(s) *	21 22 23 24 25 27
Optional color(s)	20 26 29
Lead lengths <input type="text"/>	025; 050; 075; 100; 150; 200 cm
Lead insulation	PVC
Lead cross section	1,0 mm <sup>2</sup>
Test accessory acc. to	IEC EN 61010-031
Approvals	UL, CE